

auto electrical parts

Technical Information Sheet

Part No. 0-607-40

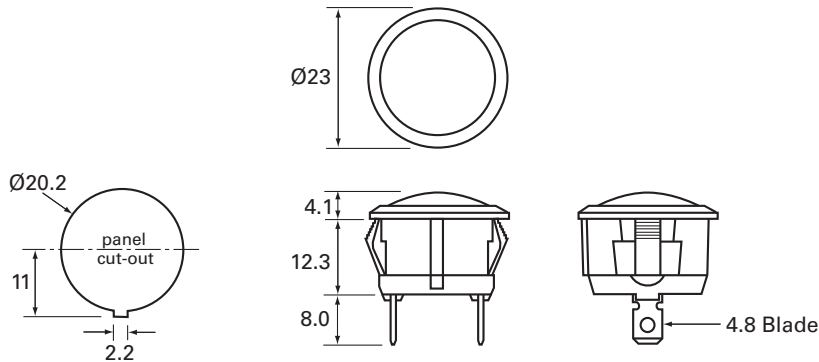
Warning light, 12/24 volt amber LED indicator with 4.8mm blade terminals. Snap fits into 20mm diameter panel hole.

Additional Information

Terminal 1 - Ground -ve
Terminal 2 - Supply +ve



Technical Drawing (not to scale)



Specification

Type	LED indicator
Voltage	12/24 volt dc
LED	Amber
LED current @ 12 volts	7mA
Terminals	4.8mm lucar blade
Temperature range	-20°C to 85°C
Electric strength	500vdc/1000vac
Insulation resistance	≤100MΩ
Material Body	Nylon
Lens	Polycarbonate
Terminals	Silver plated brass
Panel cut-out	20mm
Panel depth	0.7 to 3.0mm
Weight	10g
Dimensions	Ø23 x h 24.5mm (including terminals)

The information contained in this document is correct to the best of our knowledge at the time of printing. However, specifications may change at any time without notice.